

WCO can provide extract ventilation as well as allow the entry of natural daylight for most kinds of industrial and commercial buildings.

Its top section provides maximum ventilation and this can also be used for emergency smoke extract, although it is not certified as a smoke ventilator. Two controllable side dampers provide day to day ventilation when it is raining.

Its features and benefits are described overleaf.

FEATURES & BENEFITS

A wide range of applications -

WCO can provide both day to day and smoke control ventilation, although it is not certified as a smoke ventilator.

Polycarbonate versions allow the entry of natural daylight. There are pneumatic, electric or hand controls and a wide range of louvre types, accessories and finishes.

High performance - WCO is aerodynamically efficient and has a high resistance to weather.

Easy to install - WCO is delivered fully assembled to site and may be installed at any angle from the horizontal to 45°. It has a wide range of base profiles to suit all sheeting, curb or glazing applications.

Durable - WCO is manufactured from tough, corrosion resistant aluminium alloy, grade 3005 in accordance with EN573-3, with stainless steel fixings. Louvres pivot on double nylon UV-resistant bearings. It requires very little maintenance.

Quality of manufacture - WCO is manufactured under the ISO 9000 quality standard. Each unit is given a functional test before despatch.

Design service - Colt provides a pre-order design service. Please contact Colt for more information relating to the application, specification, installation or servicing of WCO systems.

Ventilator design

The ventilator is available in nine width options from 550mm throat width to 1900mm throat width, and in 21 length options available from 638mm to 3298mm throat length.

Depending on the application, louvres are made either from single skin aluminium, double skin aluminium, twin wall clear or opaque polycarbonate. All louvres are provided with seals to reduce air leakage when closed.

The ventilator can be supplied either mill finish or painted to a RAL colour.

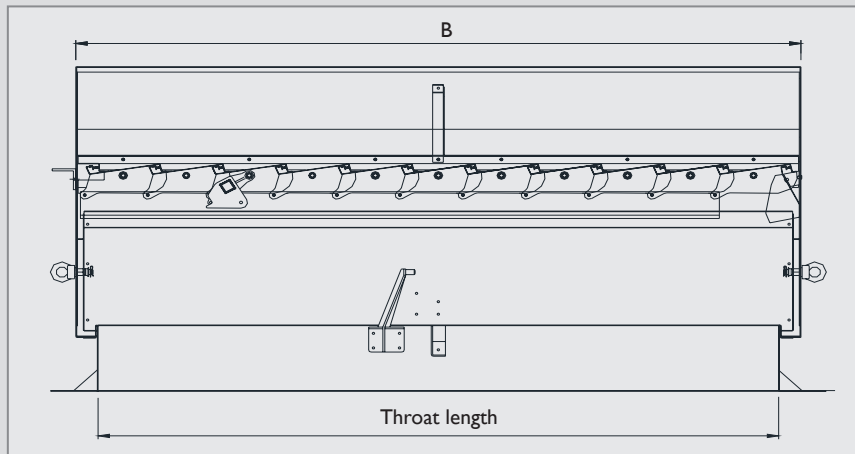
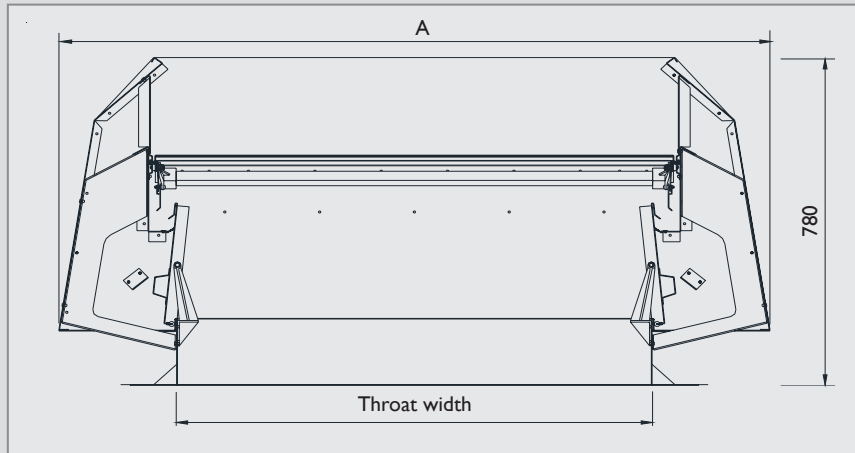
Optional accessories include bird, insect, burglar and safety guards.

Controls

Controls are either electric (24V DC / 230V AC), pneumatic or manual. For the pneumatic version, either double action locking mechanisms, failsafe open or failsafe closed are available. If used as an electric or a pneumatic smoke ventilator, activation is either by local thermal fuse which opens the unit at a pre-selected temperature, or by response to an external release signal. (Please note that it is not certified as a smoke ventilator).

Performance

Depending on its size and the options selected, WCO can achieve an insulation value of up to 3.2 W/m²/K and an aerodynamic coefficient of up to 0.7.

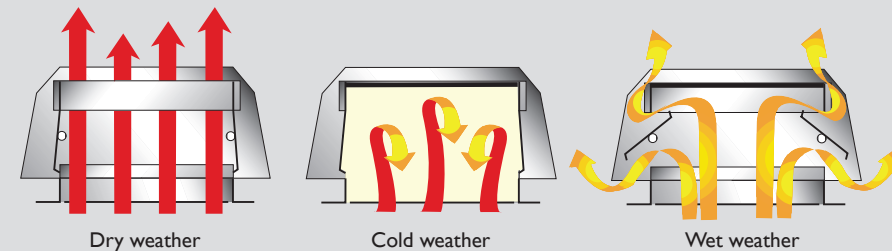


Model width code	Ventilator opening width A mm	Model length code	Ventilator opening length B mm
07	550	10	638
09	700	11	771
10	850	13	904
12	1000	14	1037
13	1150	15	1170
15	1300	17	1303
16	1450	18	1436
18	1600	19	1569
21	1900	21	1702

22	1835
23	1968
25	2101
26	2234
27	2367
29	2500
30	2633
31	2766
32	2899
34	3032
35	3165
36	3298



OPERATION MODES FOR CHANGING WEATHER CONDITIONS



Colt International Licensing Ltd reserves the right to amend product specifications without prior notice. The information and technical details included in this literature are given in good faith and apply to uses described. Recommendations for use should be verified for suitability and compliance with actual requirements, specifications and any applicable laws and regulations. For other applications or conditions of use, please contact our technical team, the advice of which should be sought for uses of our products that are not specifically described herein. To ensure you are viewing the most recent and accurate product information, please scan the QR code.

